




EMC 2 Cable Glands Brass

EMC cable glands with fixed spring contact

- Specially designed EMC protective cable glands.
- Long-lasting contact by high definition contact spring.
- Easy assembly: install cable gland - prepare cable sheath - insert cable - tighten cap.
- High quality strain relief and sealing reliable performance for EMC applications.

Technical Details	
Body, Cap	Brass Nickel plated
Seal	CR (Chloroprene)
Material	Clamping Insert PA 6 (Polyamide 6)
	Contact Spring Special Copper Alloy
	O-Ring NBR
Ingress Protection Rating	IP 68 - 5 Bar, 30 min
Flammability	V2 according to UL94
Operating Temperature	Permanent
	-20 °C to +100 °C
	Intermittent
	-40 °C to +150 °C
Thread Type	<ul style="list-style-type: none"> • Metric EN 60423 • PG DIN 40430 • NPT ANSI B1.20.1 • Other thread types also available upon request.
Cable Type	Shielded
Accessories	<ul style="list-style-type: none"> • EMC Lock nuts • Dome plugs • Gaskets (Washers)
Remarks	<ul style="list-style-type: none"> • Manufactured according to DIN EN 62444/50262. • We recommend the use of threaded holes and/or the use of special EMC lock nuts to ensure high quality EMC contact quality. • Some approvals do not cover all sizes. • O-ring available in Metric and PG threads as a standard. For NPT threads O-ring available upon request. • Accessories must be ordered separately. • Other lock nut types also available upon request.

Approvals	Certificate Number	Standards
	40039349	DIN EN 62444
	E199260	UL514B, CSA22.2 No 18.3-12, CSA22.2 No 94.2-15
TYPE 4x		UL50E
	E-14047	EN62444

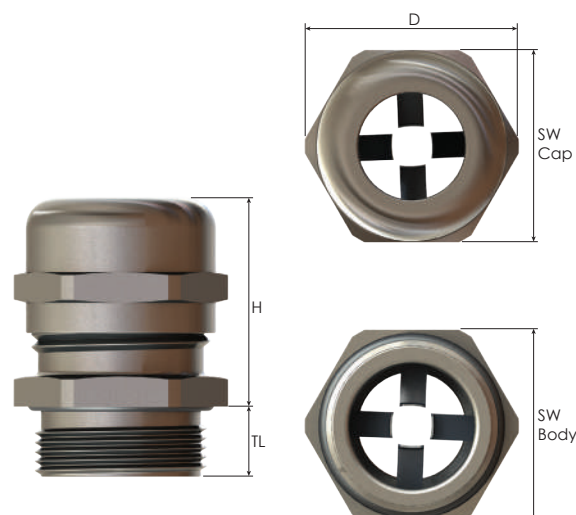
For more approvals: see our webpage.



Thread Type METRIC acc. to EN 60423

Outer Thread Size (Male)	Clamping Range	Shield Diameter	Outer Thread Length	Spanner Width		Outer Ø	max. Height	Part Number	Minimum Order Quantity
				Cap	Body				
	Ø min-max mm	Ø min-max mm	TL mm	SW Cap mm	SW Body mm	D mm	H mm		
M12x1,5	3,0 - 6,5	2,5 - 4,5	6,0	14	14	15,5	24,0	BMEM-0S	1000
	3,0 - 6,5	2,5 - 4,5	12,0	14	14	15,5	24,0	BMEN-0S	1000
M16x1,5	4,0 - 8,0	3,5 - 6,0	7,0	17	18	20,0	25,5	BMEM-01	900
	4,0 - 8,0	3,5 - 6,0	12,0	17	18	20,0	25,5	BMEN-01	900
	5,0 - 10,0	4,0 - 8,0	6,5	20	20	22,0	31,5	BMEM-01S	600
M20x1,5	6,0 - 12,0	5,0 - 10,0	8,0	22	22	24,5	26,5	BMEM-02	500
	6,0 - 12,0	5,0 - 10,0	12,0	22	22	24,5	26,5	BMEN-02	500
M25x1,5	10,0 - 14,0	8,5 - 11,5	8,0	24	27	30,0	30,0	BMEM-03	350
	10,0 - 14,0	8,5 - 11,5	12,0	24	27	30,0	30,0	BMEN-03	350
	13,0 - 18,0	11,0 - 14,0	8,0	30	30	33,0	40,0	BMEM-03S	200
M32x1,5	13,0 - 18,0	11,0 - 14,0	9,0	30	34	37,5	35,0	BMEM-04	200
	13,0 - 18,0	11,0 - 14,0	15,0	30	34	37,5	35,0	BMEN-04	200
	18,0 - 25,0	16,0 - 20,0	9,0	40	40	44,5	46,0	BMEM-04S	100
M40x1,5	18,0 - 25,0	16,0 - 20,0	9,0	40	43	48,5	40,5	BMEM-05	100
	18,0 - 25,0	16,0 - 20,0	15,0	40	43	48,5	40,5	BMEN-05	100
	22,0 - 32,0	20,0 - 27,0	9,0	50	50	55,5	54,5	BMEM-05S	50
M50x1,5	22,0 - 32,0	20,0 - 27,0	9,0	50	55	61,0	50,0	BMEM-06	50
	22,0 - 32,0	20,0 - 27,0	15,0	50	55	61,0	50,0	BMEN-06	50
M63x1,5	34,0 - 44,0	31,0 - 40,0	14,0	64	68	75,0	55,0	BMEM-07	40
	34,0 - 44,0	31,0 - 40,0	18,0	64	68	75,0	55,0	BMEN-07	40

EMC 2 Cable Glands Brass



Thread Type NPT acc. to ANSI B1.20.1										
Outer Thread Size (Male)	Clamping Range Ø min-max mm	Shield Diameter Ø min-max mm	Outer Thread Length TL mm	Spanner Width Body		Outer Ø D mm	max. Height		Part Number	Minimum Order Quantity
				SW Cap mm	SW Body mm		H mm			
NPT 3/8"	5,0 - 10,0	4,0 - 8,0	11,5	20	20	22,0	31,5	BNEM-01	600	
NPT 1/2"	6,0 - 12,0	5,0 - 10,0	13,0	22	22	24,5	27,5	BNEM-02	500	
NPT 3/4"	13,0 - 18,0	11,0 - 14,0	13,0	30	30	33,0	38,0	BNEM-03	350	
NPT 1"	18,0 - 25,0	16,0 - 20,0	13,0	40	43	48,5	45,5	BNEM-04	200	

Thread Type PG acc. to DIN 40430										
Outer Thread Size (Male)	Clamping Range Ø min-max mm	Shield Diameter Ø min-max mm	Outer Thread Length TL mm	Spanner Width Body		Outer Ø D mm	max. Height		Part Number	Minimum Order Quantity
				SW Cap mm	SW Body mm		H mm			
PG 7	3,0 - 6,5	2,5 - 4,5	6,0	14	14	15,5	24,0	BSEM-01	1000	
	3,0 - 6,5	2,5 - 4,5	10,0	14	14	15,5	24,0	BSEN-01	1000	
PG 9	4,0 - 8,0	3,5 - 6,0	6,0	17	17	18,9	25,5	BSEM-02	900	
	4,0 - 8,0	3,5 - 6,0	10,0	17	17	18,9	25,5	BSEN-02	900	
PG 11	5,0 - 10,0	4,0 - 8,0	6,0	20	20	22,0	28,0	BSEM-03	600	
	5,0 - 10,0	4,0 - 8,0	10,0	20	20	22,0	28,0	BSEN-03	600	
PG 13,5	6,0 - 12,0	5,0 - 10,0	6,5	22	22	24,5	26,5	BSEM-04	500	
	6,0 - 12,0	5,0 - 10,0	10,0	22	22	24,5	26,5	BSEN-04	500	
PG 16	10,0 - 14,0	8,5 - 11,5	6,5	24	24	26,5	30,0	BSEM-05	400	
	10,0 - 14,0	8,5 - 11,5	10,0	24	24	26,5	30,0	BSEN-05	400	
PG 21	13,0 - 18,0	11,0 - 14,0	7,2	30	30	33,0	35,0	BSEM-06	200	
	13,0 - 18,0	11,0 - 14,0	12,0	30	30	33,0	35,0	BSEN-06	200	
PG 29	18,0 - 25,0	16,0 - 20,0	8,0	40	40	44,5	40,5	BSEM-07	100	
	18,0 - 25,0	16,0 - 20,0	12,0	40	40	44,5	40,5	BSEN-07	100	
PG 36	22,0 - 32,0	20,0 - 27,0	9,0	50	50	55,5	50,0	BSEM-08	50	
	22,0 - 32,0	20,0 - 27,0	14,0	50	50	55,5	50,0	BSEN-08	50	
PG 42	30,0 - 38,0	28,0 - 34,0	12,0	58	58	64,0	51,0	BSEM-09	40	
	30,0 - 38,0	28,0 - 34,0	16,0	58	58	64,0	51,0	BSEN-09	40	
PG 48	34,0 - 44,0	31,0 - 40,0	14,0	64	64	70,0	55,0	BSEM-10	40	
	34,0 - 44,0	31,0 - 40,0	18,0	64	64	70,0	55,0	BSEN-10	40	

Order Coding				
Part Number	Gasket (Washer)		EMC Lock Nut	Sealing Plug
Mandatory	-		Option	Option
See table	-	WC Chloroprene WS Silicone	EL EMC Lock nut	P Dome Plug T Dust Plug
Example				
BMEM-03	-	WC	EL	P